

ISOLfon SE.PY

Acoustic Foam Slabs with Pyramidic cells

Description

To **ISOLfon - SE.PY** are polyurethane foam slabs with a patterned pyramidic design that effectively traps sound and reduces the reverberation time.

ISOLfon - SE.PY offers sound proofing in the middle and high frequency.

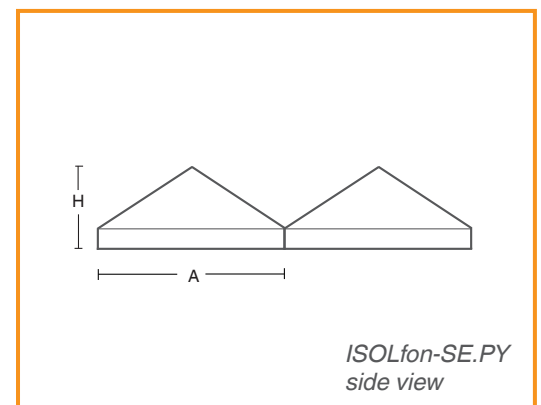
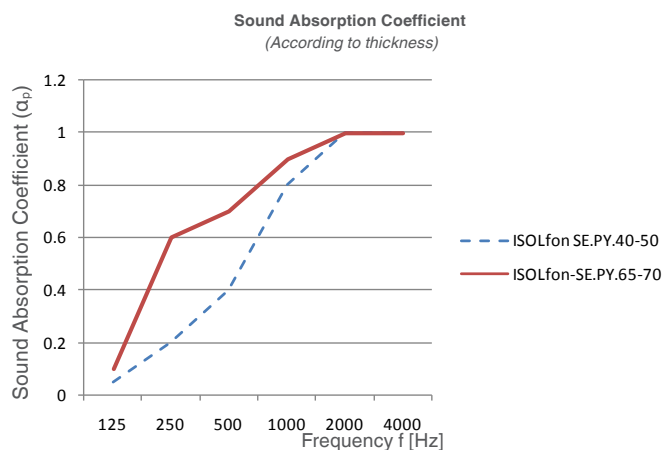
It is produced in various thicknesses to cover the needs of all kinds of applications where sound absorption is required.

The panel is flexible and can be easily installed (*no advanced equipment is required*). Just use glue on flat or curved surfaces of any kind (free of dust, oil and grease). Some critical applications may need appropriate mechanical fixing



Technical Characteristics

Thickness (Max):	35 - 65 mm (<i>other dimensions on request</i>).
Dimensions:	100 x 50 cm
Density:	29 Kg/m ³ .
Color:	Dark Grey / Anthracite.
Fire Resistance:	SE (MVSS 302) Self-extinguishing.
Characteristics:	High sound absorption, uniform porous structure.
Applications:	Sound absorption in recording studios, home cinema, night clubs, ventilation air duct, loudspeakers, sound attenuators etc. Reduces excess sound reflection, reverberation times, improving vocal clarity.



Τύπος ISOLfon-SE.PY	Pyramid Dimensions (H x A) (mm)	Practical Sound Absorption Coefficient α _p						Weighted Sound Absorption Coefficient (α _w)	Sound Absorption Class
		Συχνότητα (Hz)							
		125	250	500	1000	2000	4000		
ISOLfon-SE.PY.35-50	35 x 50	0.05	0.2	0.4	0.8	1	1	0,8(H)	B
ISOLfon-SE.PY.65-70	65 x 70	0,.	0.3	0.7	0.9	1	1	0,9	A

Practical Sound Absorption Coefficient α_p, has been calculated according to ISO 11654:1997

ALPHA ACOUSTIKI Ltd

73 Apostolopoulou St, 15231, Chalandri Greece

T. +30 210 6779875 F. +30 210 6779269

info@alphacoustic.com



www.alphacoustic.com