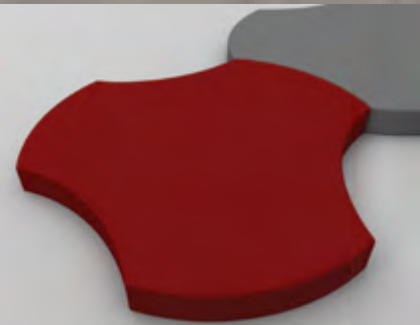




ALPHAcoustic-Puzl
MODULAR ACOUSTIC PANELS



ALPHA ACOUSTIKI



APPLICATIONS

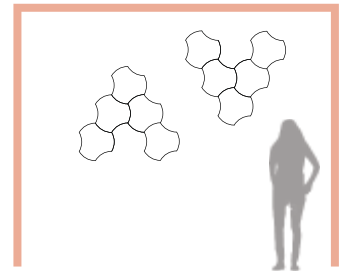
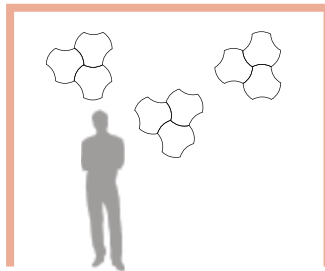
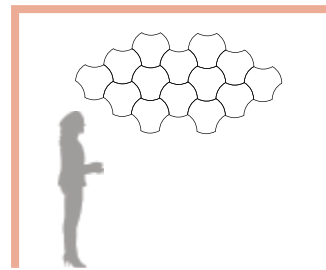
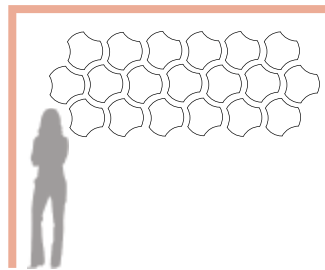
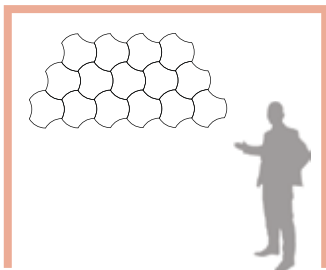
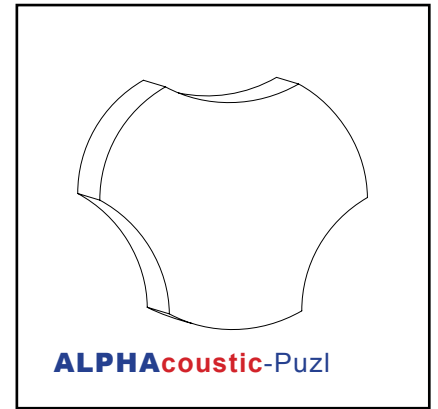
ALPHAcoustic-Puzl is an aesthetic modular acoustic panel wrapped with acoustic transparent fabric, with a unique shape, that reduces the disturbing noise reflections and improves the interior acoustics. Its modular design makes it the perfect selection for any interior designer who wants to create a custom vibrant look.

It can be installed on:

- Walls
- Ceilings

Typical applications:

- Reception areas
- Offices
- Restaurants
- Recording studios
- Discos
- Waiting rooms
- Classrooms
- Nurseries
- Gyms



SOUND ABSORPTION

ALPHAcoustic-Puzl is specifically designed to achieve maximum sound absorption at a specific acoustic range band. Our team of acoustic engineers can assist in choosing the acoustic baffle with the most adequate sound absorption index (α_c) for your project according to ISO 354.2003 and ISO 11654.1997.

Indicative practical sound absorption coefficient (α_p), and weighted sound absorption coefficient (α_w) can be found in the following table:

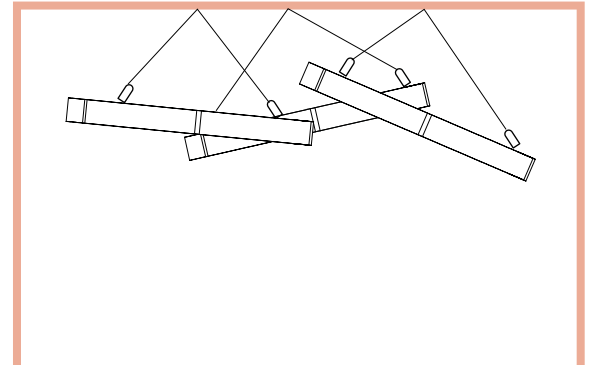
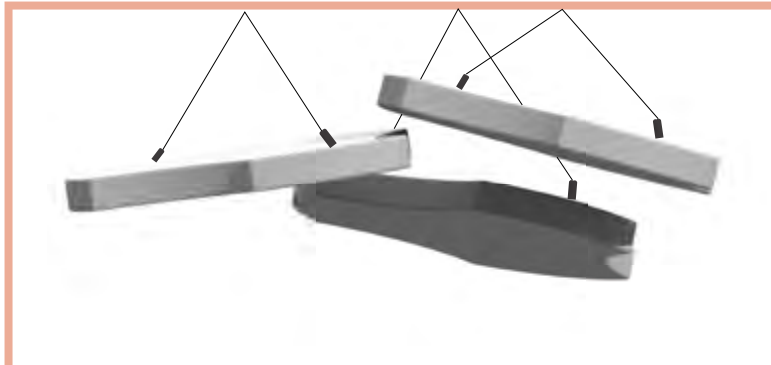
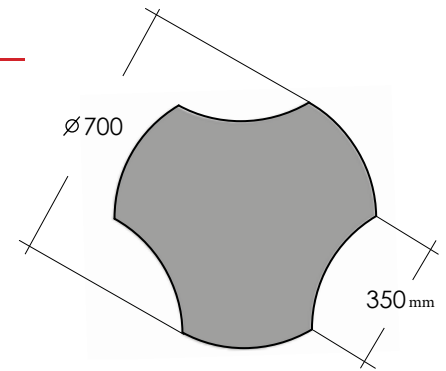
| ALPHAcoustic-Puzl Type: | Practical Sound Absorption Coefficient α_p | | | | | | Weighted Sound Absorption Coefficient (α_w) | Sound Absorption Class |
|----------------------------|---|------|------|------|------|------|--|---------------------------|
| | Frequency (Hz) | | | | | | | |
| | 125 | 250 | 500 | 1000 | 2000 | 4000 | | |
| Thickness 30 mm | 0.05 | 0.3 | 0.75 | 0.8 | 0.9 | 0.85 | 0.8 | B |
| Thickness 50 mm | 0.20 | 0.65 | 0.9 | 1 | 1 | 1 | 1 | A |
| Thickness 80 mm | 0.45 | 0.95 | 1 | 1 | 1 | 1 | 1 | A |

Depending on the requirements of each application and in order to achieve sound absorption in a wide range of frequencies, a combination of different sound absorptive materials can be applied.

INSTALLATION

Modular Acoustic Panels **ALPHA**coustic-Puzl can be easily placed on the wall with their simple hanging system at the back of the panel. They can be hung from the ceiling from adjustable cable, like a puzzle.

Their cell shape allows the arrangement in various combinations depending on the interior design needs.



EXTERNAL COVERING

Acoustic panels **ALPHA**coustic-Puzl are available with different external covering depending on the aesthetics of each project. The most common is a special sound transparent fabric with high endurance and excellent quality.

They are available in various colours and can be self extinguished (*Flamability test EN13501-1 Class B, s2, d0*).



SAMPLES

For more color options, please refer to our sound transparent fabric ALPHAcoustic CL. Due to their increased sound transmissibility, the sound absorption capabilities of the internal material are not affected.



ALPHA ACOUSTIKI Ltd combines technical experience and scientific knowledge of its Engineers which are specialized in the field of room acoustics since 1980. Our complete range of innovative acoustics products can offer solutions to complex architectural acoustic projects. Some of our Acoustics product creations:

- **ALPHA**acoustic-AB: Acoustic vertical Baffles
- **ALPHA**acoustic-AM: Self-standing Acoustic Panels
- **ALPHA**acoustic-AP.C: Acoustic Panels with fabric
- **ALPHA**acoustic-Desk: Desk Acoustic Partition
- **ALPHA**acoustic-Kiklos: Round Acoustic Panels
- **ALPHA**acoustic-Kima: Wave Acoustical Ceiling Cloud
- **ALPHA**acoustic-Multi: Multi-pattern Acoustic Panels

and many more

Our technical department (tech@alphacoustic.com), will be glad in assisting you the best solution to improve the Architectural Acoustics in your project.

CONTACT



ALPHA ACOUSTIKI Ltd.
73, Apostolopoulou Str.
Chalandri, Greece 15231



T: +30 210 6779875
F: +30 210 6779269



info@alphacoustic.com
www.alphacoustic.com