

ALPHAfon - AD.Qubo

ACOUSTIC DOORS & FIRE DOORS

APPLICATIONS

- Theatres
- Conference halls
- Industrial plants
- Control/test rooms
- Studios
- Mechanical rooms e.t.c.

DESCRIPTION

Acoustic metal doors **ALPHAfon-AD.Qubo** are advanced noise control products of high quality and aesthetic. They guarantee high standard quality and significant sound reduction $R_w = 42$ dB with fire rating up to 60'. They are equipped with an intumescent fire seal around the frame. For added Security the doors are equipped with 1 solid steel bolt at the internal side of the door.

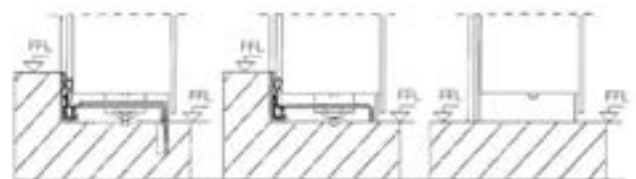
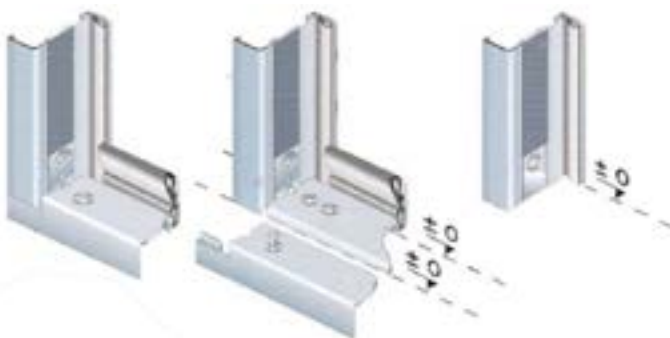


STANDARD EQUIPMENT

Metal Acoustic doors **ALPHAfon-AD.Qubo** have the following standard equipment:

- Door Leaf : 65 mm thick
Can be used for Left-hand or Right Hand hinging.
- Rebate: : Thin rebate to 4 sides.
- Frame: : Corner frame 2 mm thick,
chloroprene rubber sealing profile.
- Surface: : Door leaf and frame galvanized, primed and powder-coated
in off-white (based on RAL 9002)
- Lock: : Mortise Lock with lever/knob DIN 18250 prepared for profile cylinder.
- Lever Handle: : Round handle/lever handle set, black colored
- Height adjustment: : One standard hinge set.
- One FE-Spring loaded hinge set with height adjustment.
- Special retractable floor sealing mechanism at the bottom part (upon request).

DOOR'S THRESHOLD



Simple dismantling of the threshold rail and floor profile thanks to screwed connections

INSTALLATION

The Acoustic doors ALPHAfon-AD Qubo can be fitted into:

- Masonry or lightweight concrete walls with specific density at least 800 kg/m³.
Wall thickness must be at least 100 mm.
- Solid concrete and concrete blocks wall with specific density at least 1200 kg/m³
Wall thickness must be at least at least 100 mm.

ACOUSTIC / THERMAL/ FIRE RATING

Noise Insulation: $R_w = 42$ dB
(According to EN ISO 140.3 & EN-ISO 717.1.)
Thermal insulation: $U = 1.8$ W/m²K
Fire Rating = 60 min.
(According to DIN 4102 & EN 1634.)

DIMENSIONS

Standard sizes - clear wall opening

Width (mm)	800 - 900 - 1000
Height (mm)	2000 - 2125

Other dimensions are available upon request

ADDITIONAL EQUIPMENT



On request can be equipped with an anti-panic lock.



An hydraulic door closer can be installed upon request.

Our company applies the Quality Management System ISO 9001.2008 & the Environmental Management System ISO 14001.2004